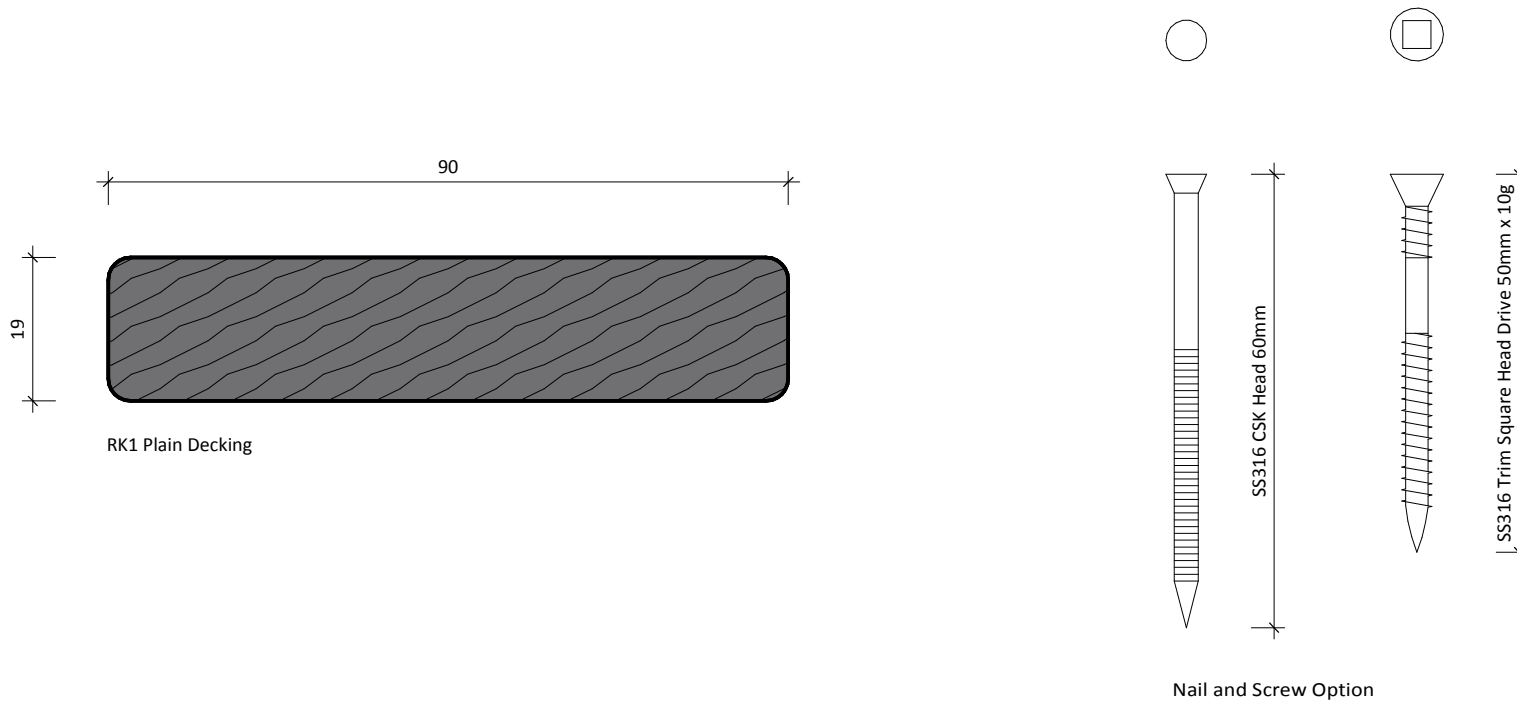


90mm hardwood decking notes:

1. 90mm wide hardwood decking
2. Minimum 4mm gap depending on degree of ventilation
3. Pre-drill prior to fixing and double fix at each fixing point at a maximum of 450mm centres
4. Fixing can be using either SS316 10gx50mm Trim-head square drive RK decking screws 15mm in from the edge; or for 65/90x19mm decking SS316 60x3.15mm AG CSK head RK decking nails 12mm in from the edge may be used
5. For adequate ventilation allow a minimum of 450mm clearance from ground level
6. Apply optional coat x 4 faces of FactoryOil prior to delivery
7. Framing to NZS 3604 and durability of decking material to NZS 3602



www.rosenfeldkidson.co.nz

Auckland Branch:
513 Mt Wellington Highway
Mt Wellington, Auckland 1060
T. +64 9 573 0503
F. +64 9 573 0504

Christchurch Branch:
15 Edmonton Road, Hornby
Christchurch 8042
T. +64 3 349 3316
F. +64 3 349 3317

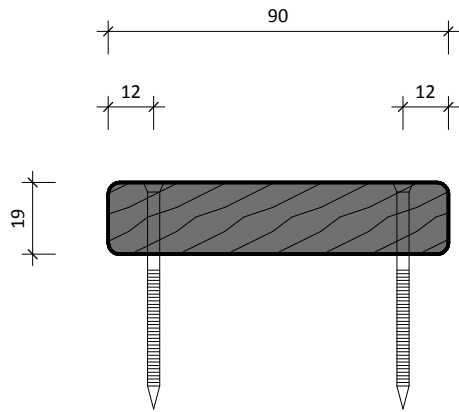
Postal address: PO Box 621, Shortland Street, Auckland 1140

Title **Plain Decking**

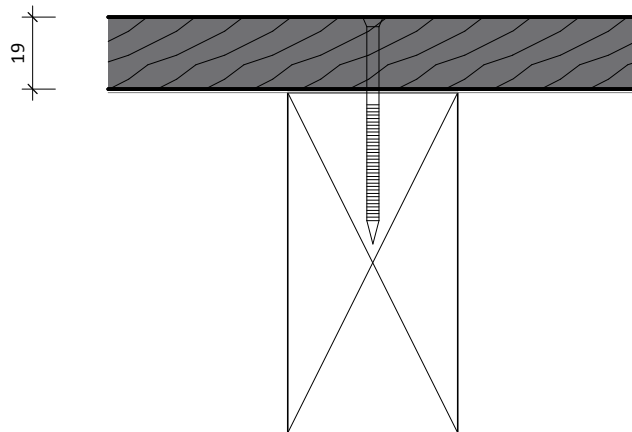
Drawing
RK1

Scale 1 : 1 @ A4

Date 30.10.2013



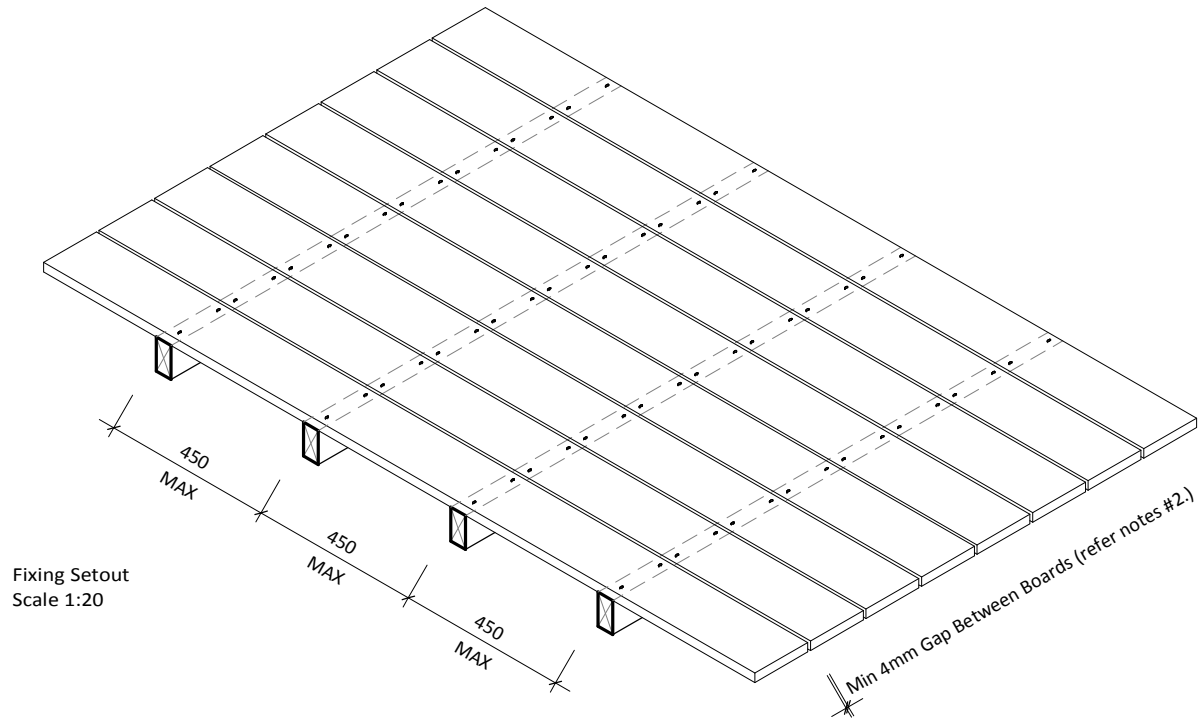
RK1 Plain Decking



RK1 Plain Decking Section

90mm hardwood decking notes:

1. 90mm wide hardwood decking
2. Minimum 4mm gap depending on degree of ventilation
3. Pre-drill prior to fixing and double fix at each fixing point at a maximum of 450mm centres
4. Fixing can be using either SS316 10gx50mm Trim-head square drive RK decking screws 15mm in from the edge; or for 65/90x19mm decking SS316 60x3.15mm AG CSK head RK decking nails 12mm in from the edge may be used
5. For adequate ventilation allow a minimum of 450mm clearance from ground level
6. Apply optional coat x 4 faces of FactoryOil prior to delivery
7. Framing to NZS 3604 and durability of decking material to NZS 3602



Fixing Setout
Scale 1:20



www.rosenfeldkidson.co.nz

Auckland Branch:
513 Mt Wellington Highway
Mt Wellington, Auckland 1060
T. +64 9 573 0503
F. +64 9 573 0504

Christchurch Branch:
15 Edmonton Road, Hornby
Christchurch 8042
T. +64 3 349 3316
F. +64 3 349 3317

Postal address: PO Box 621, Shortland Street, Auckland 1140

Title **Plain Decking**

Drawing
RK1 SETOUT

Scale As indicated @ Date 30.10.2013
A4