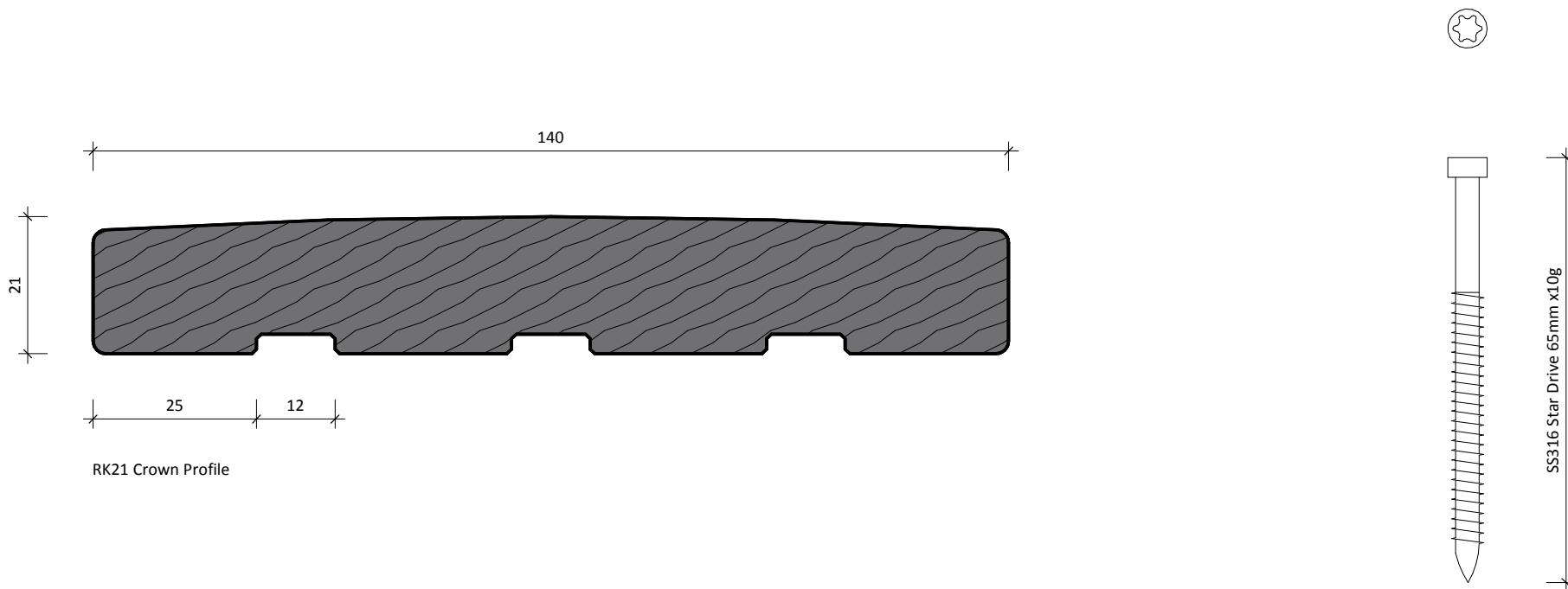


140mm hardwood decking notes:

1. 140mm wide hardwood decking
2. Minimum 6mm gap depending on degree of ventilation
3. Double fix at a maximum of 450mm centres, 15mm in from each edge at each fixing point
4. Pre-drill prior to screw fixing using SS316 10gx65mm Star drive RK decking screws
5. For adequate ventilation allow a minimum of 450mm clearance from ground level
6. Apply optional coat x 4 faces of FactoryOil prior to delivery
7. Framing to NZS 3604 and durability of decking material to NZS 3602



www.rosenfeldkidson.co.nz

Auckland Branch:
513 Mt Wellington Highway
Mt Wellington, Auckland 1060
T. +64 9 573 0503
F. +64 9 573 0504

Christchurch Branch:
15 Edmonton Road, Hornby
Christchurch 8042
T. +64 3 349 3316
F. +64 3 349 3317

Postal address: PO Box 621, Shortland Street, Auckland 1140

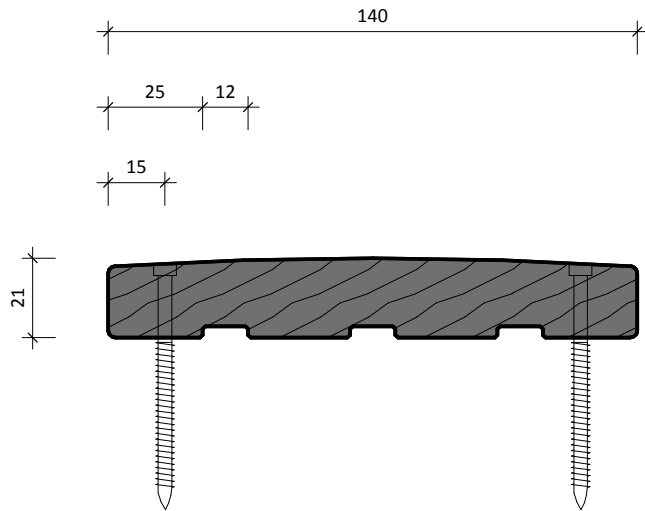
Title **Crown Profile**

Drawing

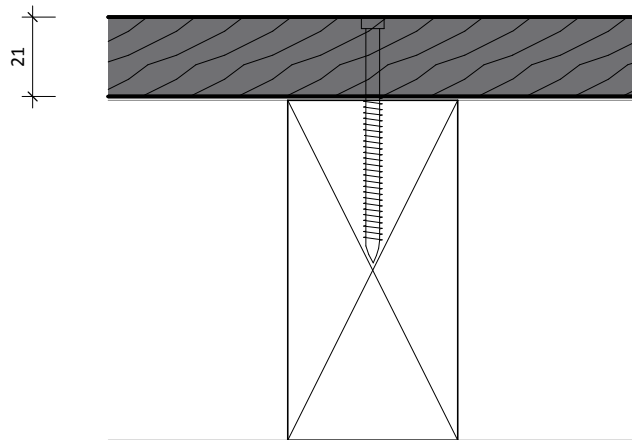
RK21

Scale 1 : 1 @ A4

Date 30.10.2013



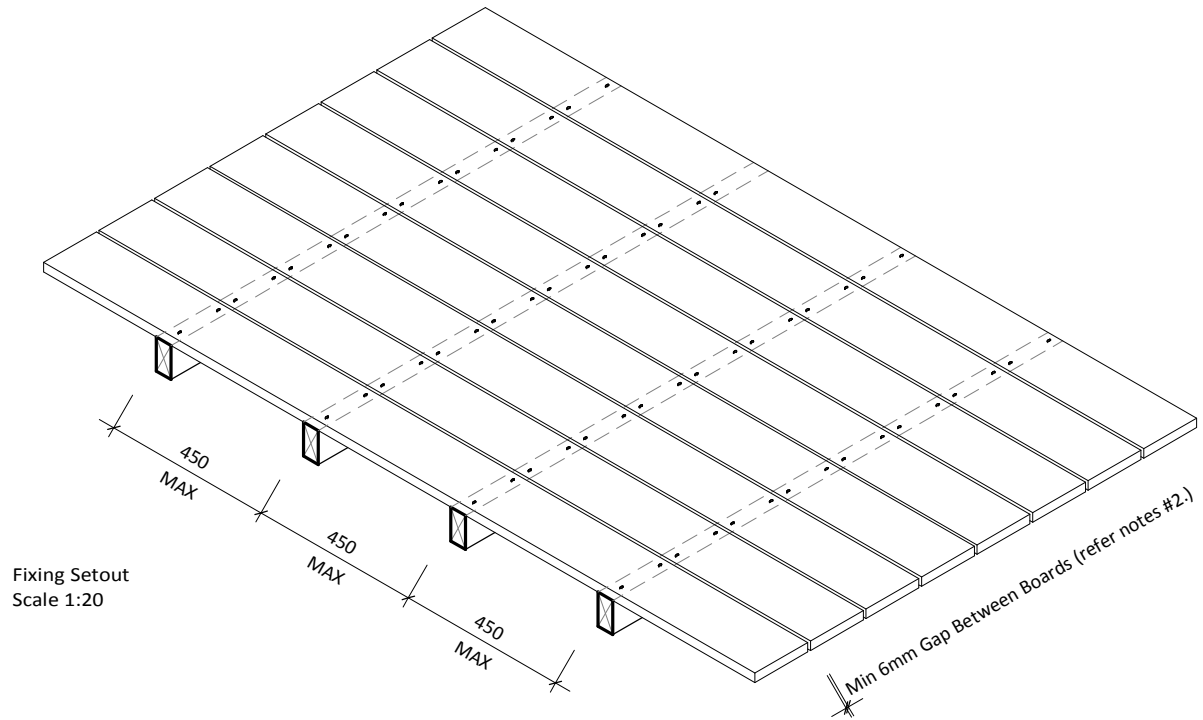
RK21 Crown Profile



RK21 Crown Profile Section

140mm hardwood decking notes:

1. 140mm wide hardwood decking
2. Minimum 6mm gap depending on degree of ventilation
3. Double fix at a maximum of 450mm centres, 15mm in from each edge at each fixing point
4. Pre-drill prior to screw fixing using SS316 10gx65mm Star drive RK decking screws
5. For adequate ventilation allow a minimum of 450mm clearance from ground level
6. Apply optional coat x 4 faces of FactoryOil prior to delivery
7. Framing to NZS 3604 and durability of decking material to NZS 3602



Fixing Setout
Scale 1:20



www.rosenfeldkidson.co.nz

Auckland Branch:
513 Mt Wellington Highway
Mt Wellington, Auckland 1060
T. +64 9 573 0503
F. +64 9 573 0504

Christchurch Branch:
15 Edmonton Road, Hornby
Christchurch 8042
T. +64 3 349 3316
F. +64 3 349 3317

Postal address: PO Box 621, Shortland Street, Auckland 1140

Title **Crown Profile**

Drawing
RK21 SETOUT

Scale As indicated @ Date 30.10.2013
A4